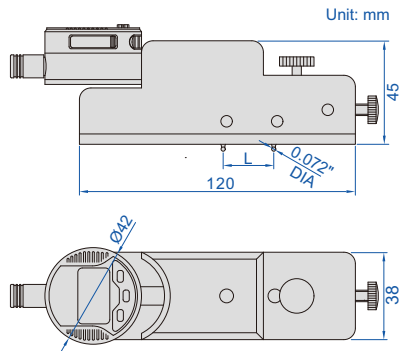
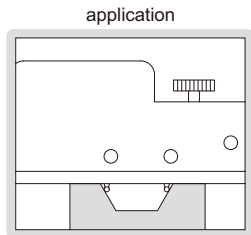


DIGITAL GROOVE WIDTH MEASURING INSTRUMENT

POINT DIAMETER CAN BE CUSTOM-MADE



- Measure the groove width of flange ring groove
- Point height is adjustable
- Optional: data output cable (code **7315-50M** page 5, **7302-40M** page 13), groove standard block (code **6254**)



2260-4

Code	Range (L)	Movable point stroke	Resolution	Repeatability
2260-4	0.55-1.4"/14-35.5mm	0.16"/4mm	0.00005"/0.001mm	0.002mm